

FIRESHIELD®

user guide

FIRESHIELD DETAILS

Fireshield is a vapour permeable walling underlay with an intumescent fire proof surface. Fireshield is suitable for all walling applications including those in multiple storey buildings and where open jointed cladding is used. Its unique coating doesn't just resist fire, but eliminates fire spread and protects the structures underneath it.

- Class B, s1-d0 according to EN 13501-1 test method: EN 11925-2 and EN 13823(SBI) but performs differently to membranes with the same classification
- Unique intumescent fire proof surface actively reacts to fire and prevents it from taking hold - membrane does not shrink away from fire
- Vapour permeable walling underlay for use either directly onto sheathing or insulation
- Complies with BS 5250, BS 4016, BS EN 13859-2 & NHBC requirements for vapour permeable walling underlays
- Ideal for use in rainscreen / façade construction including open-jointed systems (class W1 water resistance, 5000hr UV resistance)
- Suitable for high-rise applications

To protect the membrane from mechanical damage, the joint openings in the façade covering must be less than 50% of the area and maximum 50mm wide.

Installation of Fireshield

Fireshield is designed to be installed by a competent builder or general contractor experienced with breathable underlay type products, and is installed in the same manner as traditional breather membranes.

Unroll Fireshield membrane and fix directly to the substrate i.e. insulation / timber sheathing. Ensure the vertical laps of the Fireshield are staggered. If using over timber, the location of the vertical studs should be highlighted on the membrane.

Fireshield must be secured with fixings that are appropriate to the substrate i.e.: nails or staples for timber kits, washers for fibrous insulations. Fixing centres should be no more than 450mm. Consideration should be made of the fire performance of the fixings.

Lap Fireshield by 100mm horizontally and 150mm vertically. At external corners return the membrane by 300mm (Fig 1). Upper layers should overlap lower layers to shed water away from the sheathing.

Taping Fireshield overlaps with Flextite UV Tape is recommended behind open-jointed cladding and where airtightness is required, but otherwise this is optional.

Detail Fireshield into openings to ensure the return provides sufficient lap and weathering for the proposed framing. Flextite UV Tape may be used to seal the corners for enhanced airtightness and weather resistance (Fig 2).

Lap Fireshield at cavity barriers and trays by at least 100mm horizontally and 150mm vertically (Fig 3).

After Fireshield is installed, seal around penetrations with Flextite UV Tape.

Dimensions:
Fireshield
Flextite UV Tape

1.1m x 20m
 60mm x 25m

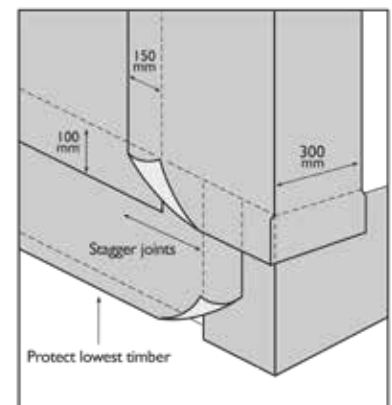


Fig 1

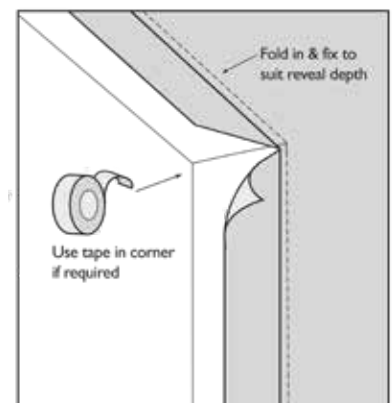


Fig 2

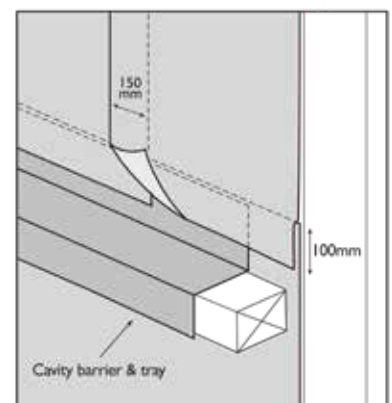


Fig 3

In the UK, given the mild weather conditions, a maximum exposure period of 12 months uncovered should be adhered to for Fireshield. In the winter months, or in cases of more extreme weather; this period should be reduced.

Repair

Care should be taken during installation to limit damage to the membrane. Damage to Fireshield can be repaired prior to the installation of the external cladding by laying another sheet of Fireshield over the damaged area, fixing mechanically, then sealing with Flextite UV Tape. Smaller areas may be repaired with Flextite UV Tape alone. Ensure the membrane is installed in a shingled manner to enable water to shed away from the building.

Detailing

Due to the nature of the surface coating, Fireshield is a more rigid membrane compared to traditional breather membranes. Care should be taken when folding and detailing as creases and folds may remain in the fabric.

While effort must be made to keep cracks and creases in Fireshield's surface to a minimum, these should not adversely affect the intumescent properties of the membrane. If large areas of the membrane suffer loss of surface coating, these should be patched or replaced.

Health and Safety

Care should be taken in handling materials at height, in particular ensure that manual handling regulations are not exceeded. Before work commences a method statement and risk assessment requires to be prepared.

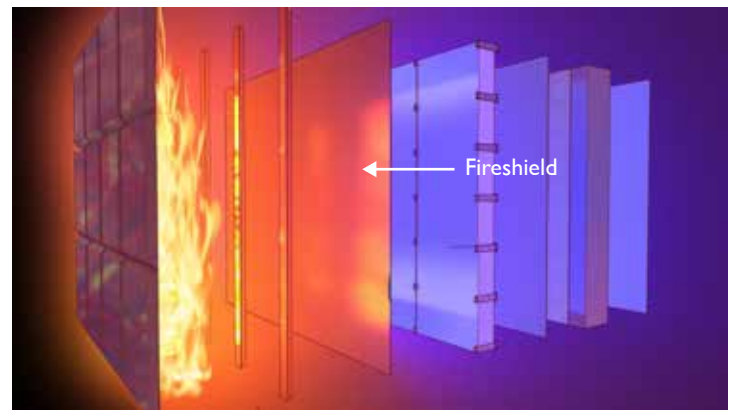
Standards and Guidance

Weather tightness: The appropriate national requirements state that walls should resist the penetration of rain from outside. The properties of Fireshield ensure that, when installed as recommended, a wall will comply with the following regulations:

- Approved Document C, Section 5 (England);
- Approved Document C, Section 5 (Wales (E&W));
- Scottish Technical Handbook 3, Section 3.10 (Domestic and Non-domestic);
- Technical Booklet C, Section 6 (Northern Ireland)

Condensation risk: BS 5250:2011 + A1:2016, British Standard Code of Practice for control of condensation in buildings, is the primary reference for the installation of membranes in walls and roofs. It is referenced extensively within the building regulations.

The standards set by the NHBC and the guidance for the construction of timber framed houses issued by TRADA, both specify the inclusion of a breather membrane outside the sheathing of timber framed walls.



Fireshield: front & reverse sides



Flextite UV Tape



December 2018

TECHNICAL ADVICE

The A. Proctor Group has a dedicated Technical Department which can deal with installation details, view drawings for approval and give specialist advice on the correct use of the A. Proctor Group products.

Telephone: +44 (0)1250 872 261
Facimile: +44 (0)1250 872 727
email: contact@proctorgroup.com
www.proctorgroup.com

ACOUSTIC SOLUTIONS
CONDENSATION CONTROL
GROUND GAS PROTECTION
THERMAL INSULATION