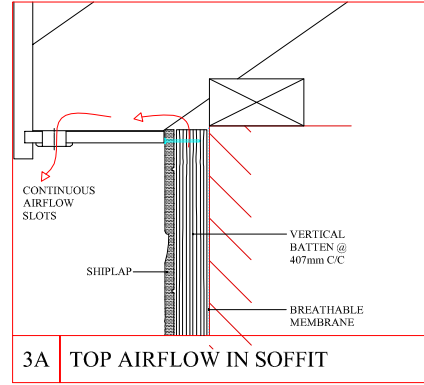
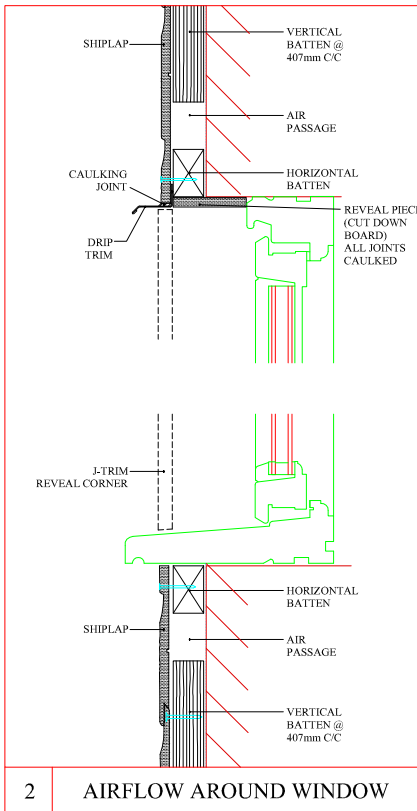


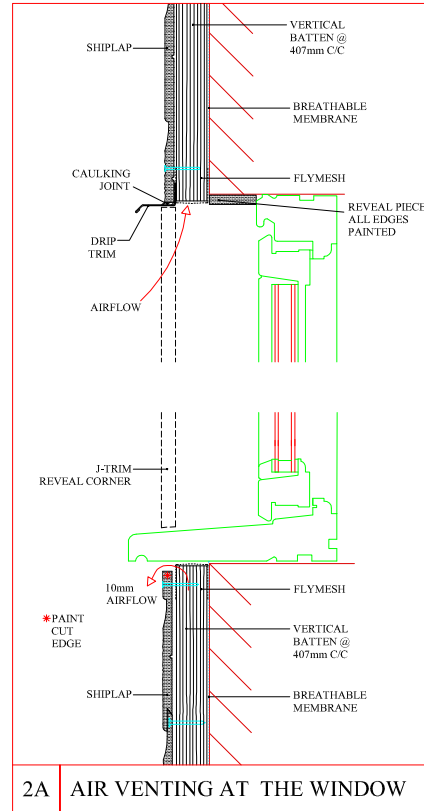
3 TOP AIRFLOW IN CLADDING



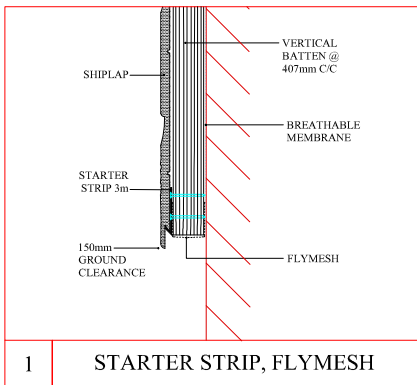
3A TOP AIRFLOW IN SOFFIT



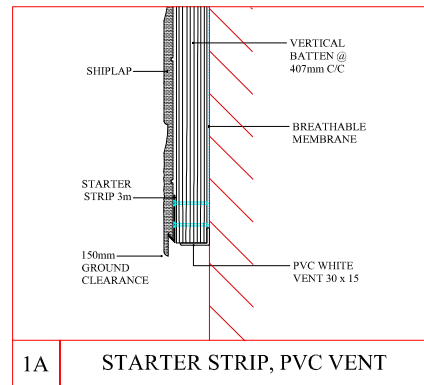
2 AIRFLOW AROUND WINDOW



2A AIR VENTING AT THE WINDOW



1 STARTER STRIP, FLYMESH



1A STARTER STRIP, PVC VENT