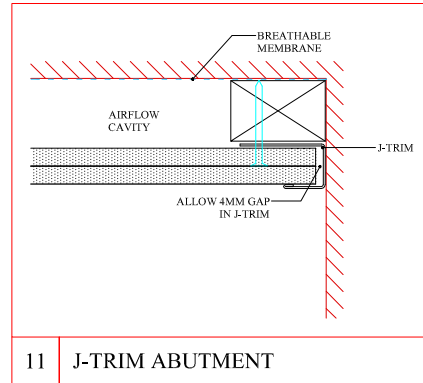


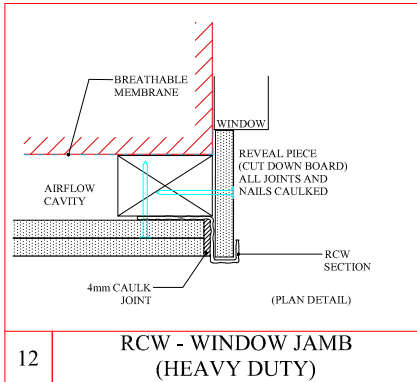
10

J-TRIM WINDOW JAMB
(LIGHT DUTY)



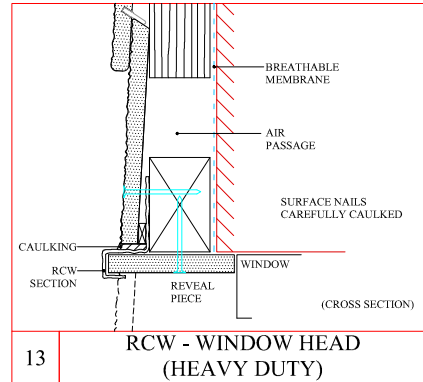
11

J-TRIM ABUTMENT



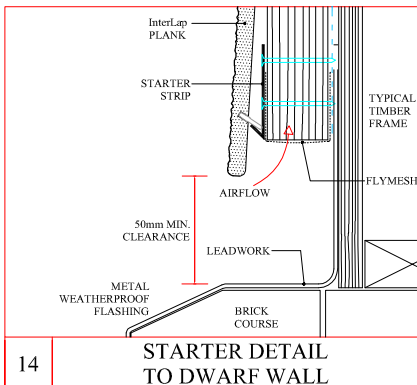
12

RCW - WINDOW JAMB
(HEAVY DUTY)



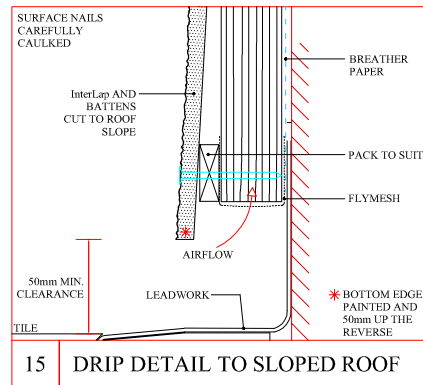
13

RCW - WINDOW HEAD
(HEAVY DUTY)



14

STARTER DETAIL
TO DWARF WALL



15

DRIP DETAIL TO SLOPED ROOF