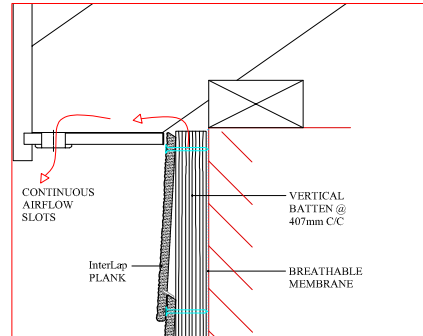
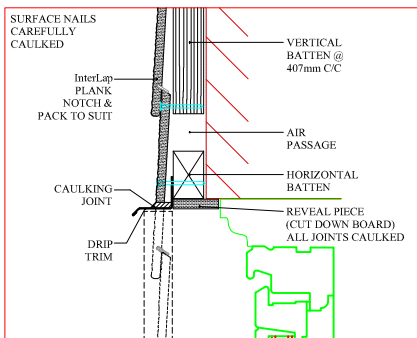


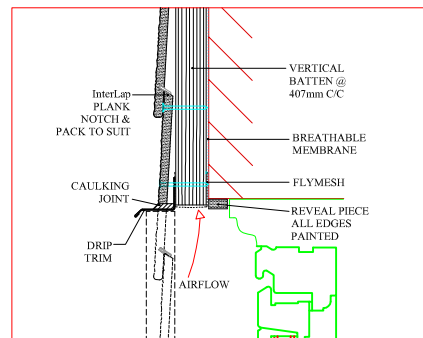
4 SOFFIT - AIRFLOW IN CLADDING



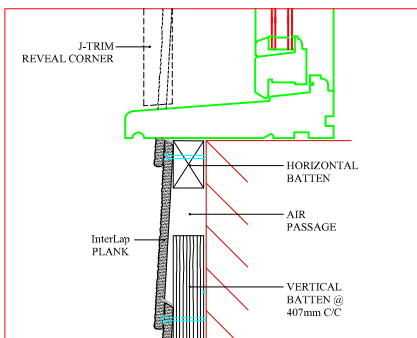
4A SOFFIT - AIRFLOW IN SOFFIT



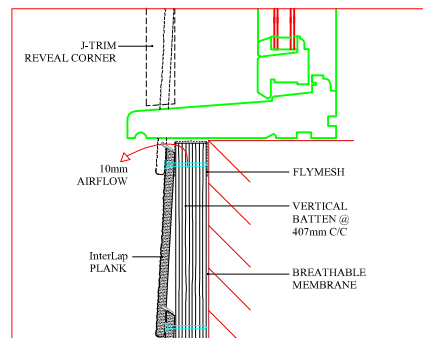
3 WINDOW HEAD - UNDER 2m WIDE



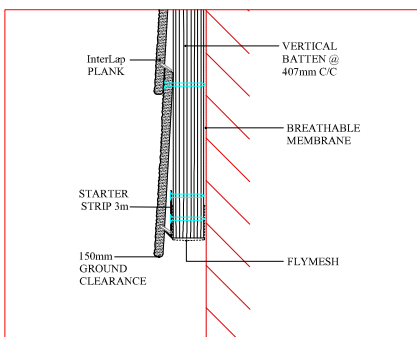
3A WINDOW HEAD - OVER 2m WIDE



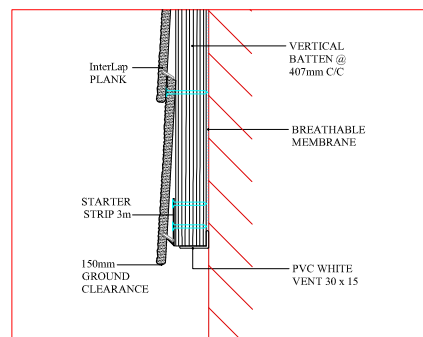
2 WINDOW CILL - UNDER 2m WIDE



2A WINDOW CILL - OVER 2m WIDE



1 STARTER STRIP, FLYMESH



1A STARTER STRIP, PVC VENT