

# Vulcalucent™ and Vulcatuf® Fixed to steel lugs



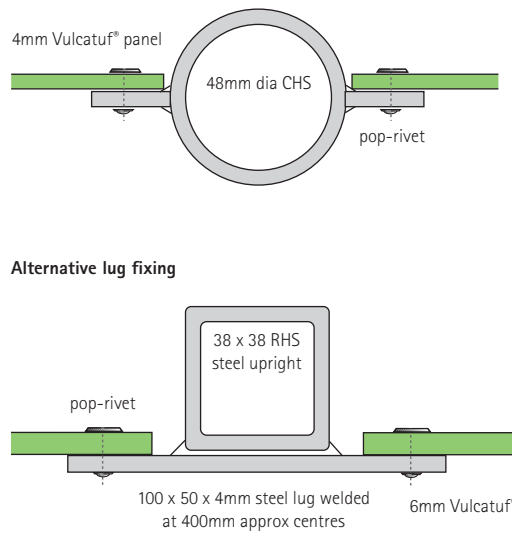
Vulcatuf® fixed directly to steel framework

(a)

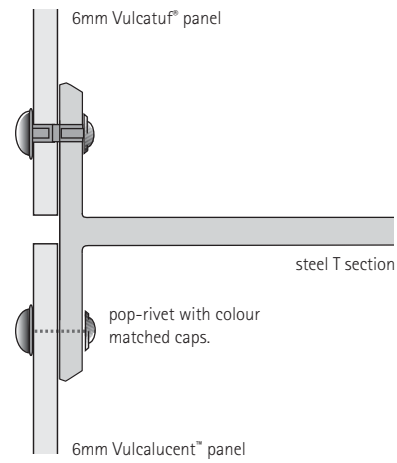


Vulcalucent™ canopy; Vulcalucent™ and Vulcatuf® balcony panels

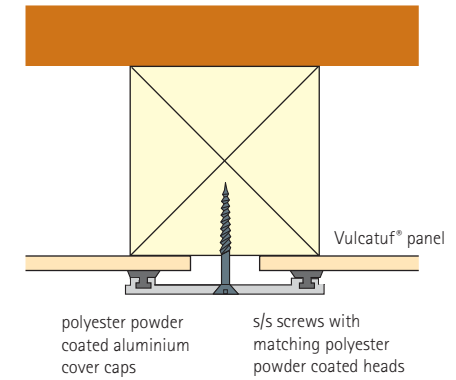
(c)



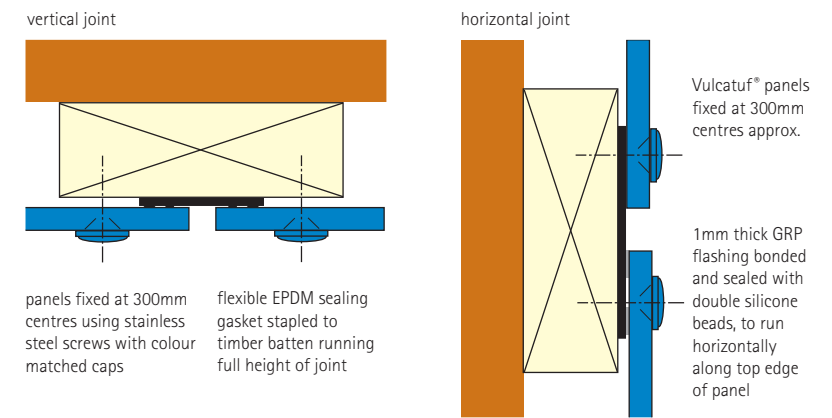
(b)



## Timber fixing (d)

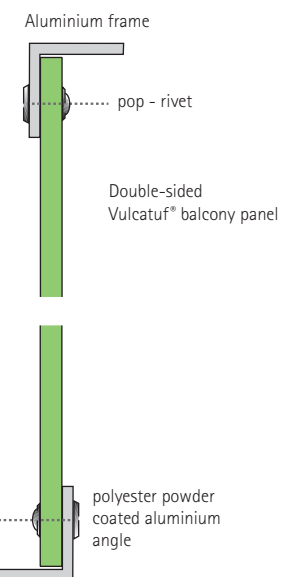


## Alternative details with open joints (e)

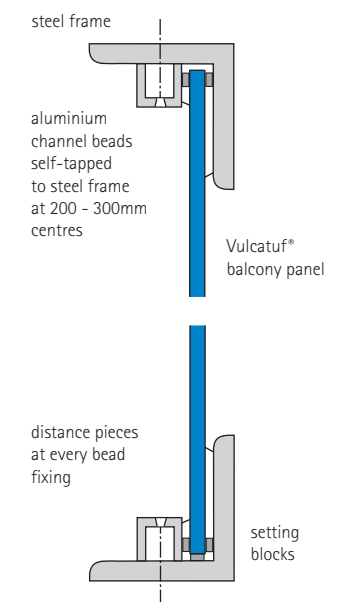


## Balcony infill panels

### Vulcatuf® stiffened with aluminium frame (f)



### Vulcatuf® detail using channel beads (g)



Vulcatuf® fixed as detail (c)